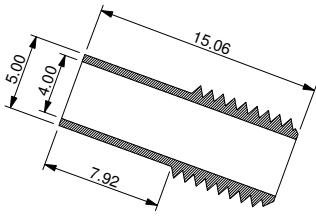
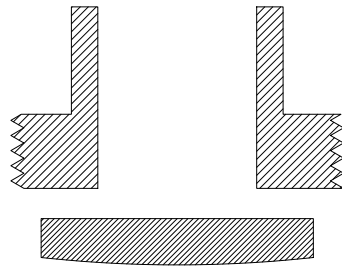


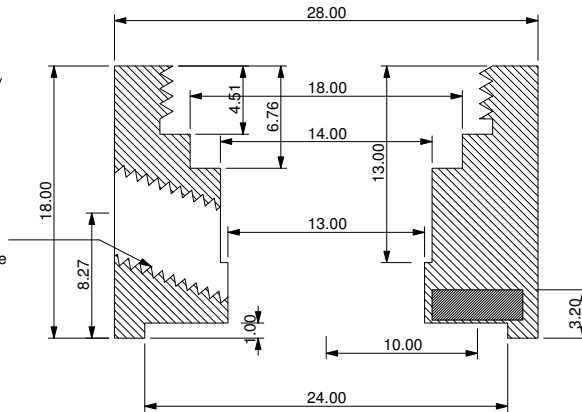
# Air assist nozzle

## Scale 2:1

with magnetic "snap off" nozzle holder

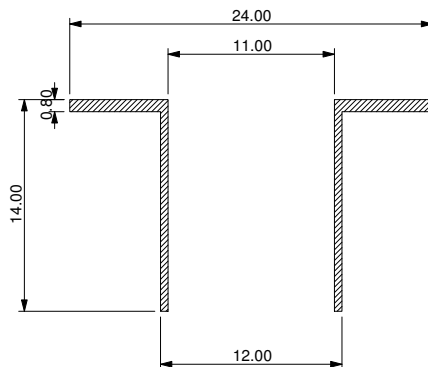


1/4" x 32  
20 degrees angle



Glue magnets in place first, then turn recess for magnetic holder.

Ensure magnet is deep enough to clear nozzle holder.



Make from steel. Use expanding mandrel to hold internally.